

PCV-5 Series UPVC 5x30" Filter Housing

The PCV-5 series housings from Delta Pure Filtration hold five 30" tall DOE (double open end) filters. These housings are all UPVC construction except external eyebolt closure hardware which is 316 stainless steel.

These housings are an economical alternative to multi-element stainless steel housings. Typical flow rates are in the range of 30-150 GPM (115-568 LPM).

Excellent for water to 113 degrees F (45 degrees C), and a variety of plating chemicals and weak acids, the housings are rated to 75 psig continuous and 100 psig max. The housing comes with 2" NPT fittings that are connected via union quick-disconnects. The top lid has two 1/4" fNPT fittings with UPVC plugs.



Delta Pure Filtration PCV-5 Series UPVC housings provide compatibility with water and a wide array of chemicals without the corrosion and expense of metallic filter housings.

Benefits

- Rigid UPVC construction
- Corrosion resistant
- Lightweight
- Top loaded design simplifies filter change-out
- High flow rates in a small footprint

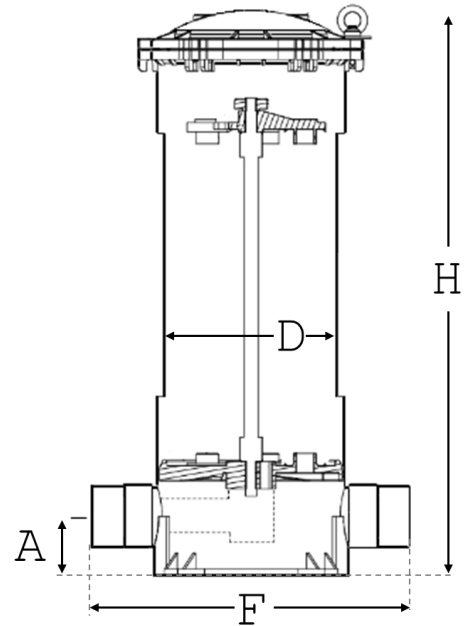
Applications

- Commercial Water Systems
- Industrial Process Water
- Pre-Filtration for Membrane/ Reverse Osmosis (RO) Systems
- Food, Beverage, and Cosmetics
- Industrial Solutions and Plating Chemicals
- Aqueous Chemicals, Acids, Bases
- Salt water applications
- OEM, Skid Systems

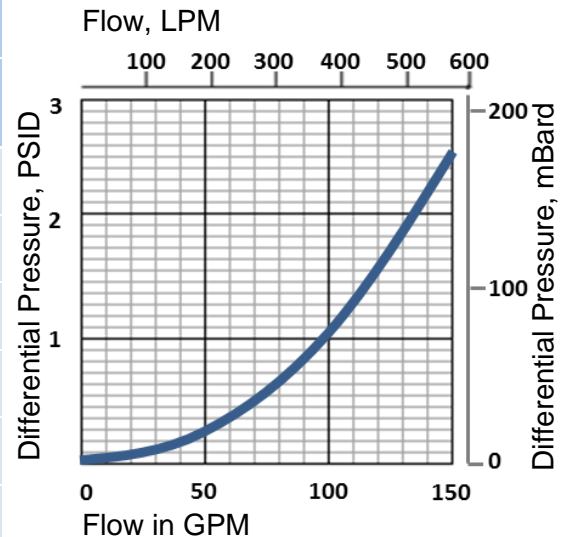
PCV-5 Series UPVC High Flow Filter Housing

Housing Specifications

- Materials of Construction: UPVC (unplasticized polyvinyl chloride)
- External Hardware: 316 SST
- O-ring: Silicone (fluorocarbon-V available)
- Pressure Rating: 75 psig (5.17 barg) continuous; 100 psig (6.9 barg) max
- Max Temperature: 113 F, 45 C
- Inlet/Outlet: 2" fNPT
- Gage Port - 1/4" fNPT with UPVC plug
- Vent: 1/4" fNPT with UPVC plug
- Closure Type: Swing Bolt, 316 sst hardware
- Filters Accepted: 5 x30" length DOE (double-open-end 316 sst) approx. 2.5" o.d.



Housing Flow vs. Delta P



Curve is for the housing only. Add pressure drop for the filters to estimate the total pressure drop of the filter assembly.

PCV-5 Housing Data and Ordering Information

Part Number	PCV-5
Filters Accepted	Qty = 5, 30" length x 2.5" nominal outer diameter, double-open-end (DOE); filters sold separately
O-ring	Silicone is standard, fluorocarbon (V) available
Height A	2.95 in (75 mm)
Height H	39 in (991 mm) - allow another 30 inches (762 mm) clearance for filter installation.
Diameter D	8.86 in (225 mm)
Distance F (face to face)	18.62 in (473 mm)
Weight, Empty	30.3 lb (13.8 kg)
Weight, Full Water (estimated)	117.0 lb (53.2 kg)